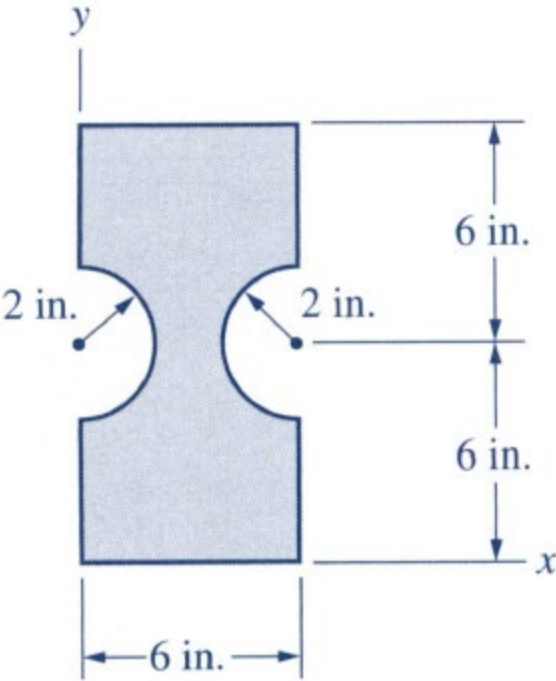


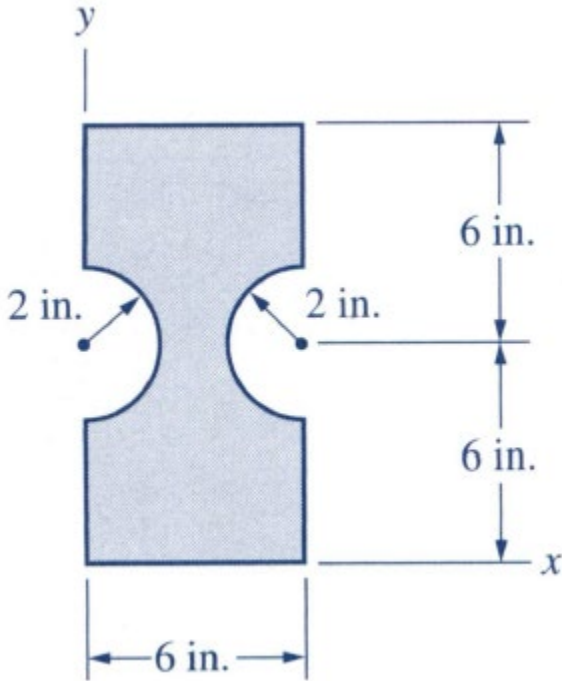
8-22. See Fig. P8-22. Determine the moment of inertia I_x of the shaded area about the x axis.

Solution.



8-23. Refer to Fig. P8-22. Determine the moment of inertia I_y of the shaded area about the y axis.

Solution.



8-28. 8-26 to 8-31 For each built-up section shown in Figs. P8-26 to P8-31, determine the moment of inertia and the radius of gyration of the section with respect to the horizontal centroidal axis.

Solution.

